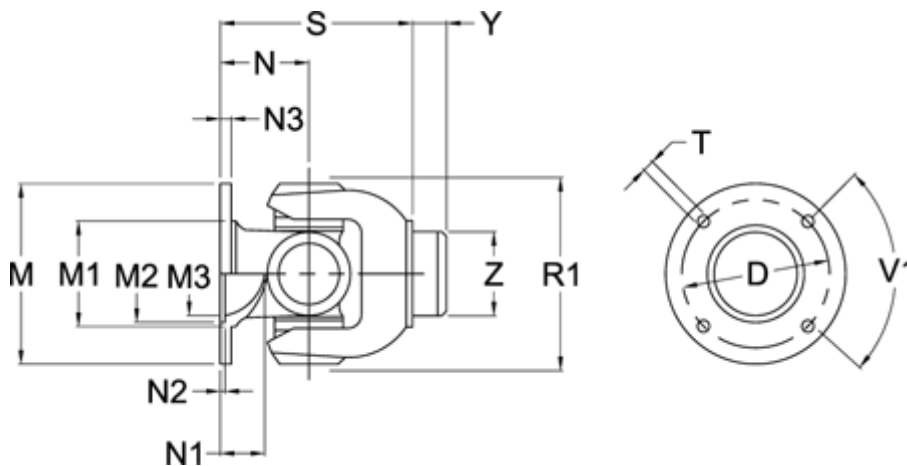


Article number: 07107051001

Description: Universal joint single 0.107.051.001  
S=82 X= Bore with keyway

## Measures



D	= 74,5 +-0,1	N2	= 2,5 +0,3	Z = 36.25
Flange diameter M	= 90	N3	= 6	
M1	= 56	Number of Flangeholes	= 4	
M2	= 47	R1	= 70	
M3	= 38	S min	= 82	
Max. Bending Angle degrees	= 18	T	= 8 B12	
N	= 36	V1 degrees	= 90	
N1	= 18	Y	= 13	